

Nanodyne Replacement Illuminator for Zeiss Axiovert Microscope Installation Instructions



(1) Original Zeiss Axiovert Illuminator

Note that the photo at right shows an older version of the illuminator.

The current version is shown on sheet 2.



(2) Nanodyne Replacement Illuminator for Zeiss Axiovert

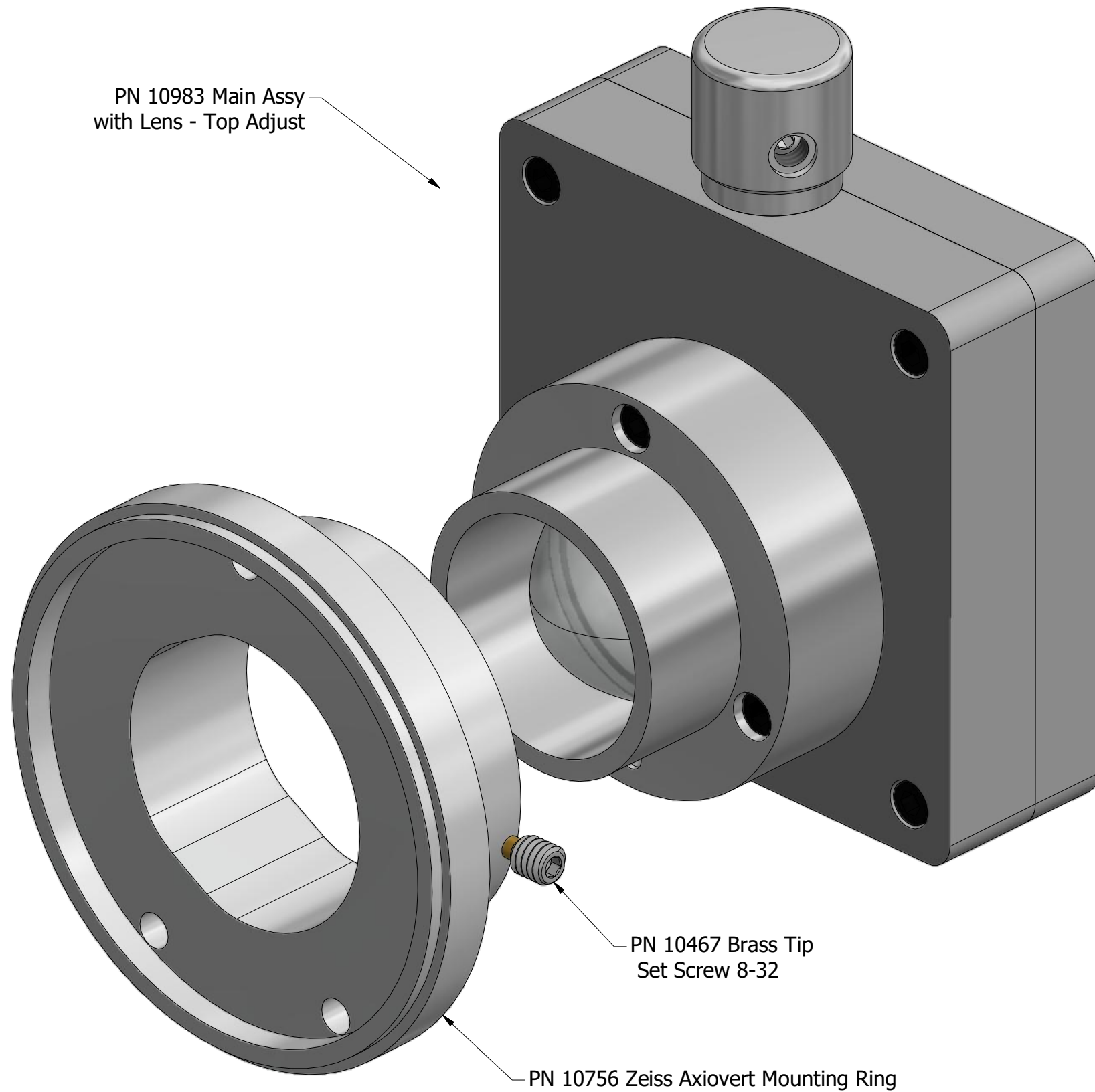
Wayne Bonin	4/21/2019
PN 10760 Zeiss Axiovert Illuminator Installation	REV 3
SHEET 1 OF 6	

Nanodyne Replacement Illuminator for Zeiss Axiovert Microscope Installation Instructions - Included Items

Additional Items Included But Not Shown:

PN 10490 Hex Key 5/64 inch for set screw

PN 10983 Main Assy
with Lens - Top Adjust



PN 10467 Brass Tip
Set Screw 8-32

PN 10756 Zeiss Axiovert Mounting Ring



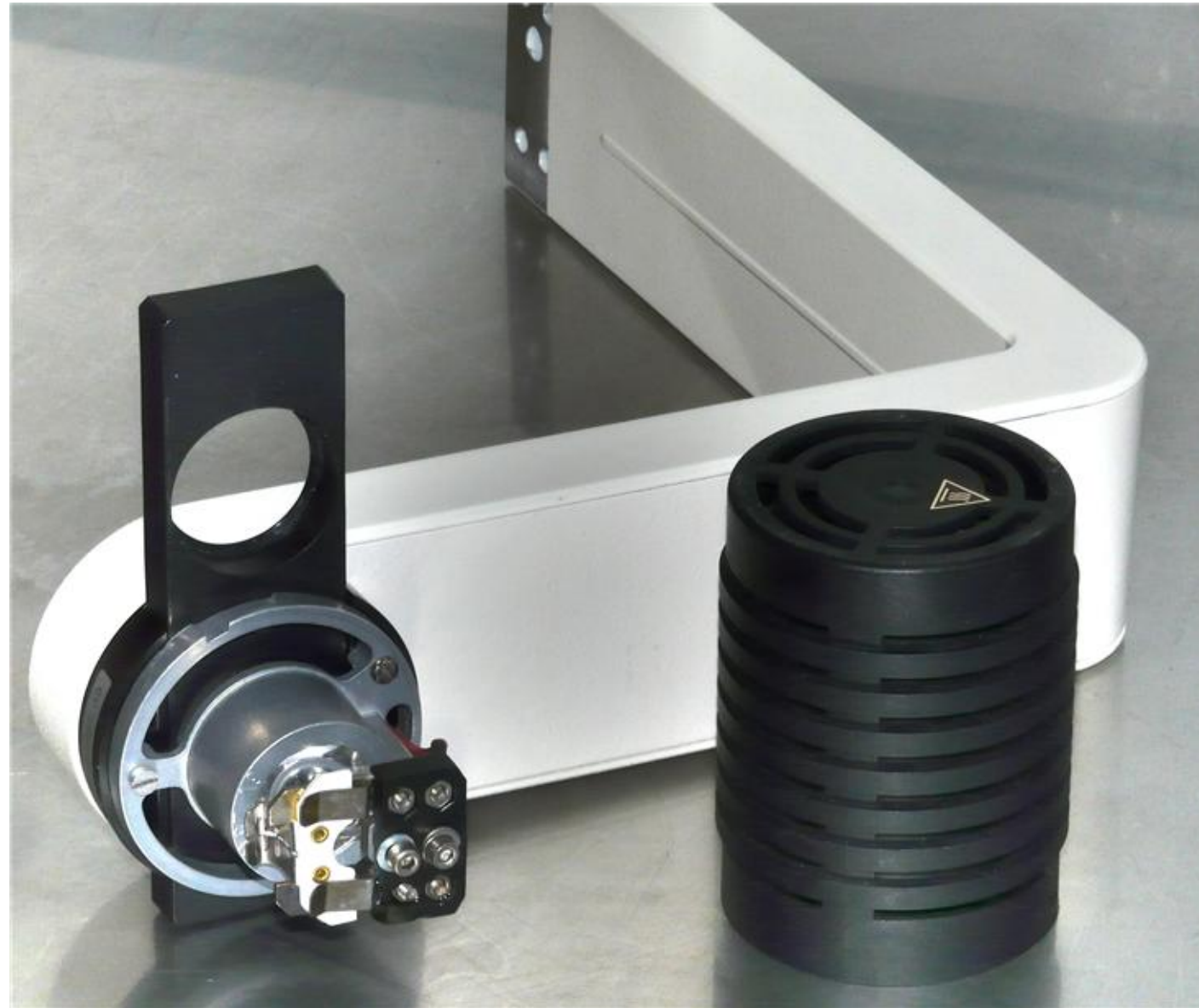
PN 10733 Power Supply - XP Power 5V 1A Fixed Blade US Input/USB Output and PN 10734 Cable Assy 1.35mm ID x 3.5mm OD RA plug to USB A, 6 foot.

The illuminator may be powered by plugging the cable into the power supply provided, or into a suitable USB port on a computer or other device.

Power supplies are subject to substitution without notice due to availability issues and changes in regulations.

Wayne Bonin	4/21/2019
PN 10760 Zeiss Axiovert Illuminator Installation	REV 3
SHEET 2 OF 6	

Nanodyne Replacement Illuminator for Zeiss Axiovert Microscope Installation Instructions: Step 1. Remove old lamp housing.



(1) Remove the lamp housing by twisting counter clock wise and pulling it off.

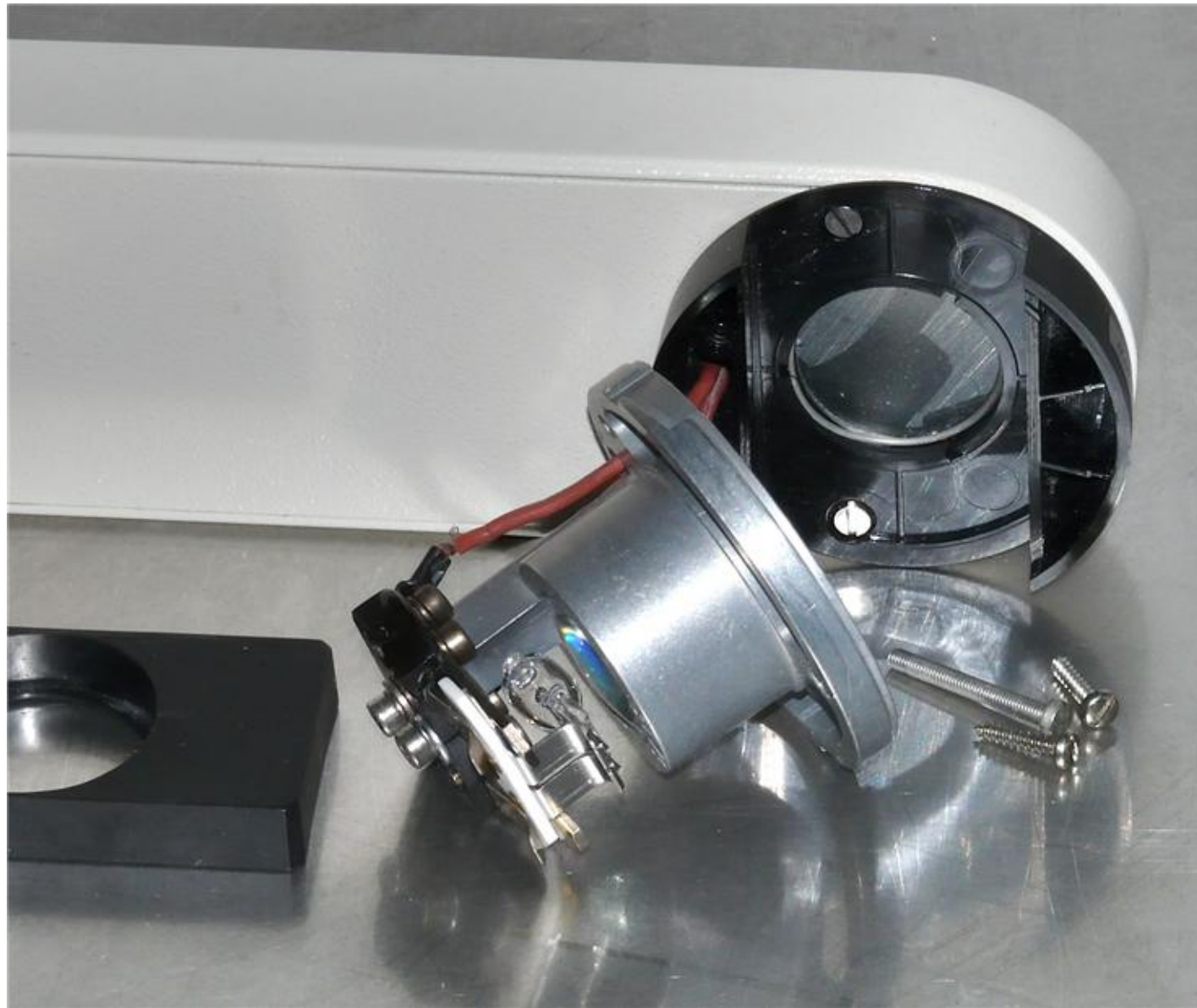


(2) Note the three screws holding the lamp/collector lens assembly in place.

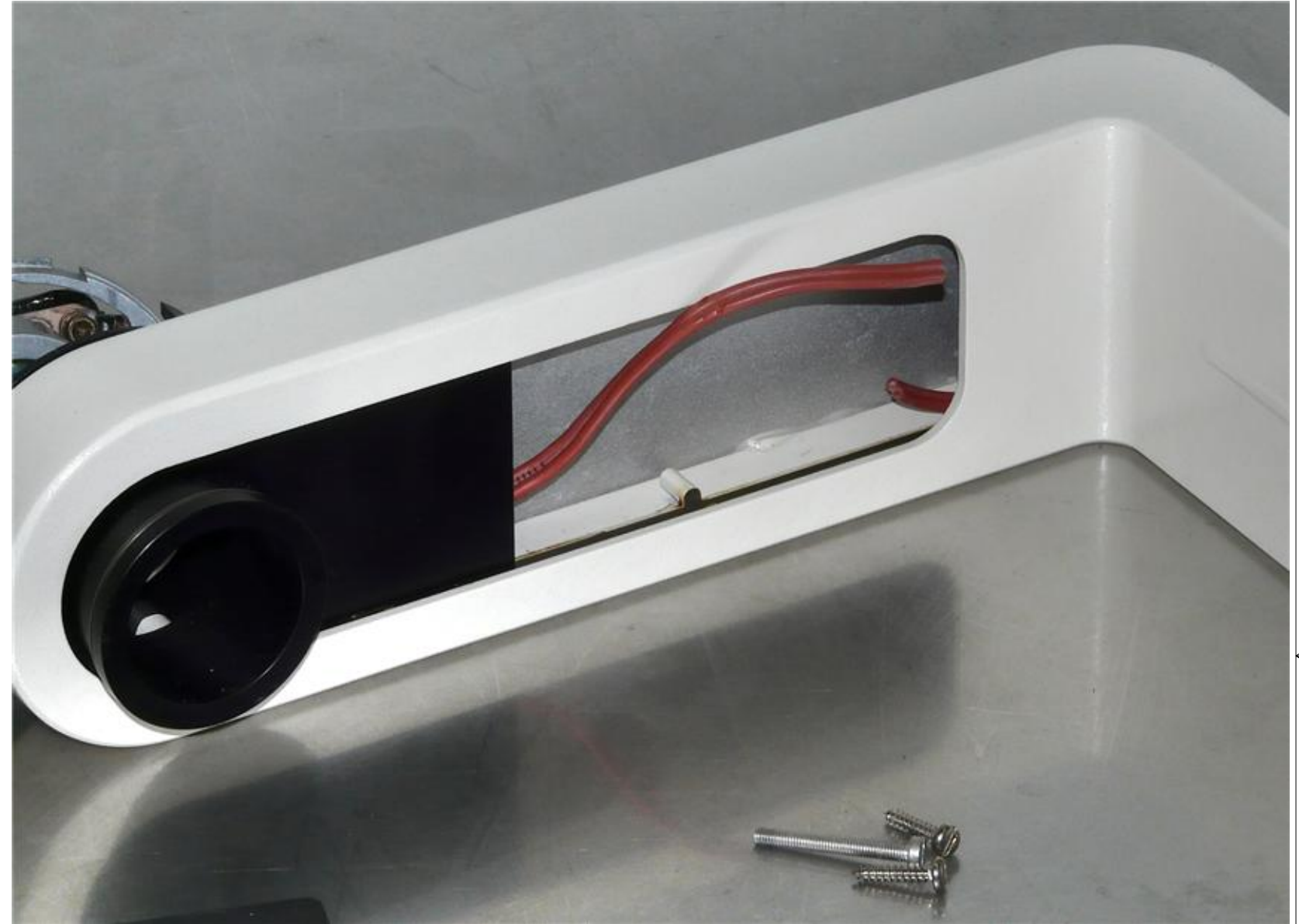
Do Not Remove the Arm From the Microscope.

A customer sent us the arm only, for us to design the replacement illuminator.

Nanodyne Replacement Illuminator for Zeiss Axiovert Microscope Installation Instructions: Step 2. Remove old lamp/collector lens assembly and wires.



(1) Remove the three screws holding the lamp/collector lens assembly. Retain the three screws and the filter holder as they will be used with the new illuminator.



(2) Cut the power leads to the old lamp as shown above. Either insulate the end of the wires remaining in the microscope, or completely remove the wire and/or original power supply so there is no possibility of power being applied to the old wiring.

Wayne Bonin	4/21/2019
PN 10760 Zeiss Axiovert Illuminator Installation	REV 3
SHEET 4 OF 6	

Nanodyne Replacement Illuminator for Zeiss Axiovert Microscope Installation Instructions: Step 3. Re-install filter holder.



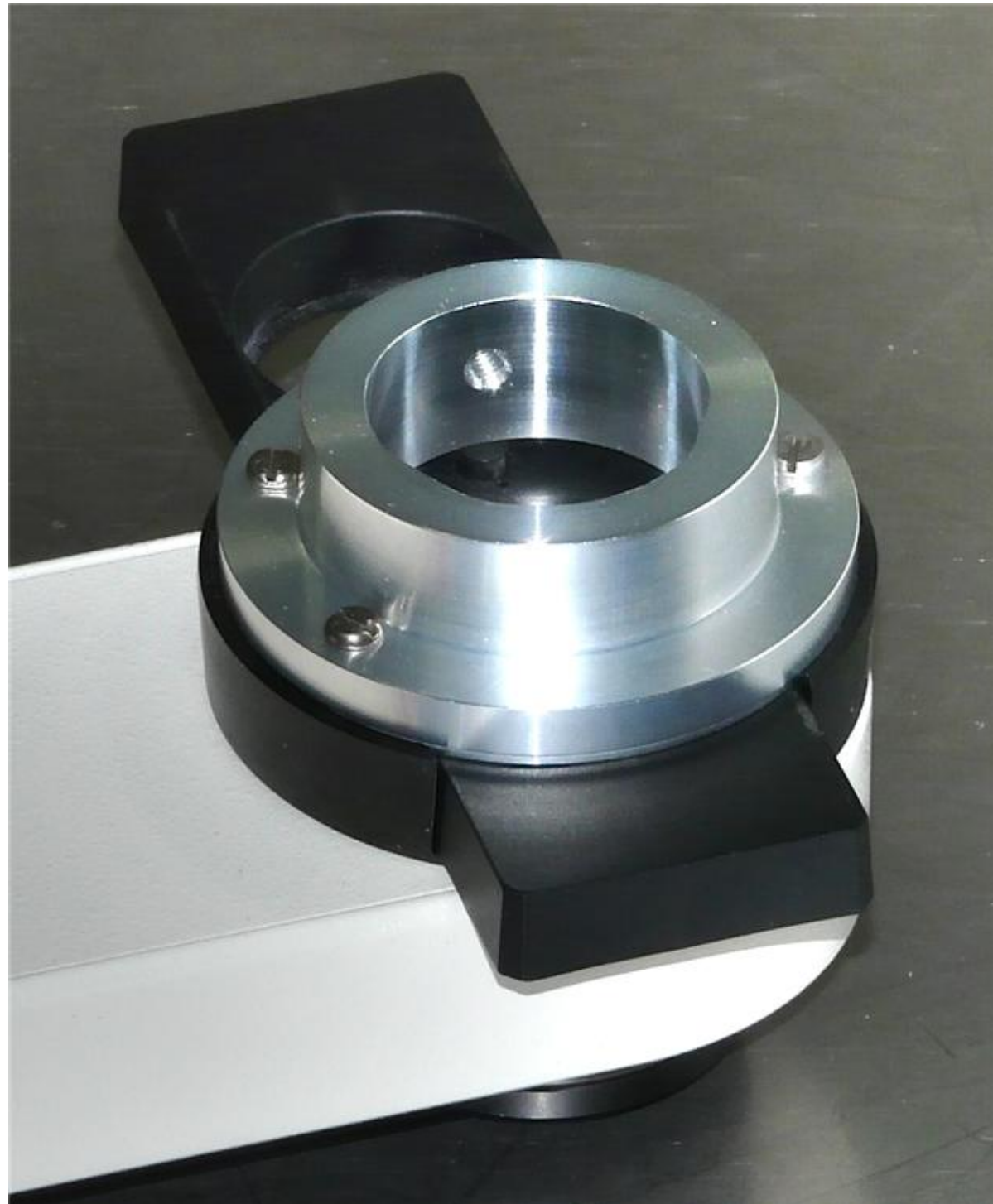
(1) Pull the illuminator assembly free from the arm as shown above. It is no longer needed.



(2) Replace the filter holder as shown above.

Wayne Bonin	4/21/2019
PN 10760 Zeiss Axiovert Illuminator Installation	REV 3
SHEET 5 OF 6	

Nanodyne Replacement Illuminator for Zeiss Axiovert Microscope Installation Instructions: Step 4. Attach Nanodyne adapter and illuminator.



(1) Using the three screws from the original illuminator, attach PN 10756 adapter ring as shown above. Although not visible above, the brass tip set screw should be visible but not protruding into the inner diameter of the adapter ring.

Note that the photo at right shows an older version of the illuminator.

The current version is shown on sheet 2.



(2) Insert PN 10983 Illuminator Assembly into the adapter ring and secure in place using the 5/64 hex key to tighten the set screw. After attaching the power supply, the unit is ready to operate. To avoid confusion it might be good to black out the "6V 25W / 30W" text from the original illuminator with a permanent marker.

Wayne Bonin	4/21/2019
PN 10760 Zeiss Axiovert Illuminator Installation	REV 3
SHEET 6 OF 6	